

# 011 WIND SPEED SENSOR

## SERVICE MAINTENANCE, REPAIR, SPARE PARTS

Met One Instruments, Inc.; 1600 NW Washington Blvd.; Grants Pass, OR. 97526  
Ph. 541-471-7111; Fax 541-471-7116; E-mail: service@metone.com

### REPAIR AND FIELD MAINTENANCE

A complete repair and service department is maintained at our factory in Grants Pass, Oregon, and at our regional service facility in Dallas, Texas. Most repairs can be made in the field by a simple substitution of components. Some repairs do require recalibration following the replacement of faulty components. If calibration standards are not available, the instrument can be returned to our service facility. The turn around time is generally less than five (5) working days.

### RETURN AUTHORIZATION

Prior to any product return, please contact the factory for a return authorization number.

### BASIC SERVICE(S)

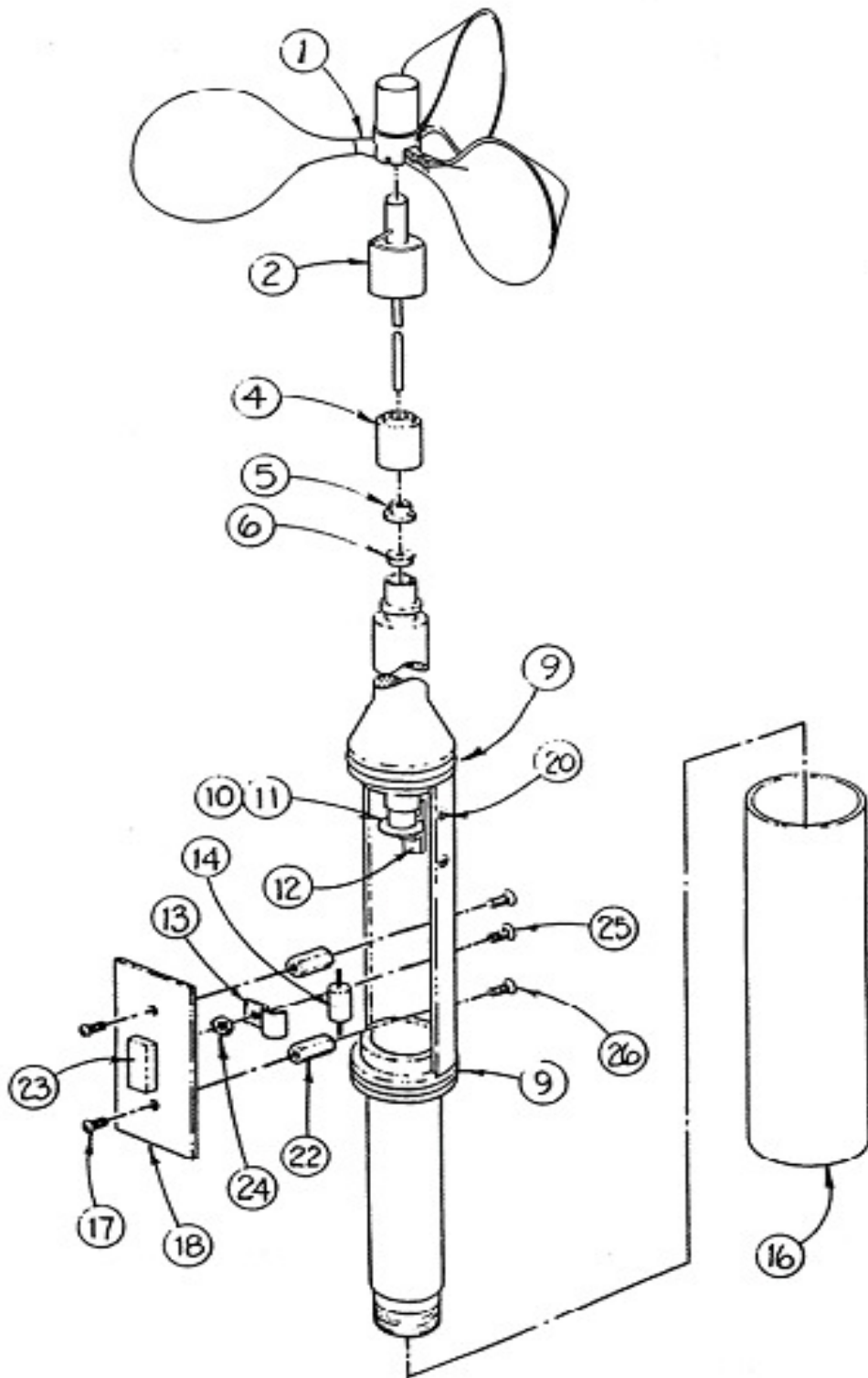
| ORDER #                    | DESCRIPTION   |
|----------------------------|---|
| SVC0011                    | 011 E-CLASS ONE WS SENSOR STANDARD SERVICE<br>Bench Cal. Replace bearings, slinger, shield.<br>Check Starting Threshold & Full Scale output.<br>Check Cups against NIST Standard.<br>Replace O-Rings as required. |
| SVC0100                    | "AS FOUND" SENSOR TEST, BENCH   |
| <i>Wind Tunnel Testing</i> |   |
| SVC3010                    | OPTIONAL CAL; EXTENDED ISO/ASTM METHOD  |
| SVC3011                    | OPTIONAL CAL; WIND ENERGY CERTIFIED MEASNET   |

### REPLACEABLE PARTS

Note: Replacement of some of the following parts will require re-calibration of the sensor. Those replacement items that require re-calibration of the sensor are indicated with an "\*". Instructions are provided in the Product User's Manual.

| Ref# | PART # | DESCRIPTION                           |
|------|--------|---------------------------------------|
| 1    | 10425  | CUP ASSY, 011 E-CLASS WS SENSOR       |
| 2*   | 10434  | HUB/SHAFT ASSY, 011 E-CLASS WS SENSOR |
| 4*   | 1009   | SHIELD WS/WD                          |
| 5*   | 1010   | SLINGER WS/WD                         |
| 6*   | 1055   | BEARING                               |
| 9    | 720120 | O RING                                |
| 10   | 2202   | CHOPPER ASSY                          |
| 11   | 601250 | SET SCREW                             |
| 12   | 520253 | PHOTO DETECTOR, 011 E-CLASS WS SENSOR |
| 13   | 480100 | HEATER CLAMP                          |
| 14   | 805080 | RES. 5W 1% 35 OHM WW                  |
| 16   | 2675   | SENSOR COVER                          |
| 17   | 601240 | SCREW, PAN HD PHIL 4-40 X 1/4" SS     |
| 18   | 1200-1 | PCBA WS                               |
| 20   | 600405 | NUT, HEX, 4-40                        |
| 22   | 860050 | STANDOFF                              |
| 24   | 600400 | NUT, HEX KEP 4-40                     |
| 25   | 601330 | SCREW, 4-40 X 3/8, F.H., PHIL., SST   |
| 26   | 601240 | SCREW, PAN HD PHIL 4-40 X 1/4" SS     |

**\*\*CONSULT FACTORY FOR CABLE PRICING**



MODEL 011 WIND SPEED SENSOR